

3RXXXL-8×10 Series

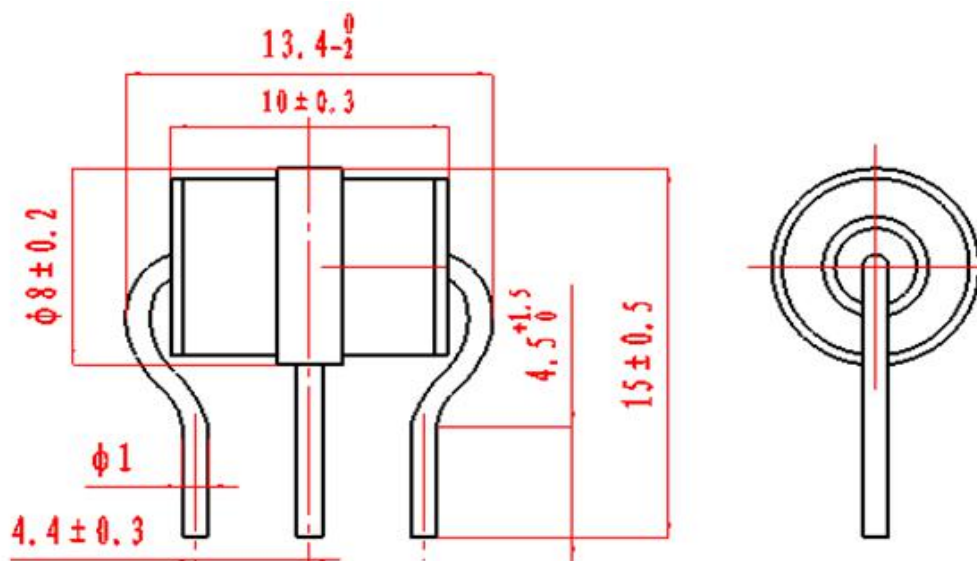
Features

- Size:8mm*10mm
- Stable breakdown voltage.
- High insulation resistance.
- Low capacitance ($\leq 1\text{pF}$)
- High holdover voltage
- Storage and operational temperature: $-40^{\circ}\text{C} \sim +90^{\circ}\text{C}$

Applications

- Transient Voltage Surge Suppression(TVSS)
- Cable Telephone Product
- Modems/Cable Modems
- Broadband/CATV/Coaxial Protectors
- Communication Lines
- Power Supplies

Specification Status:Draft (mm)



Electrical Characteristics (TA = 25 °C unless otherwise noted)

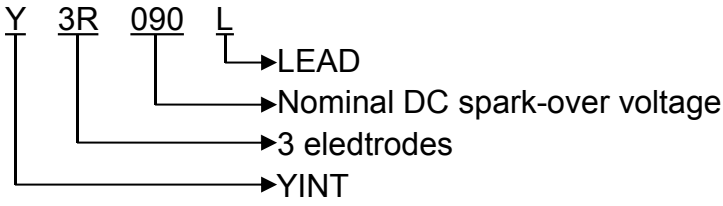
Part Number	DC Breakdown Voltage	Tolerance	Impulse Spark-over Voltage	Impulse Discharge Current 10hits(5hits each polarity)	AC Discharge Current 5 hits	Insulation Resistance*	Capacitance
	100V/s	of Vs	1kv/ μs	8/20 μs	50Hz	G Ω	1MHz
3R075L-8×10	75V	±20%	≤600V	10KA	10A	≥10	≤1pF
3R090L-8×10	90V	±20%	≤600V	10KA	10A	≥10	≤1pF
3R150L-8×10	150V	±20%	≤600V	10KA	10A	≥10	≤1pF
3R200L-8×10	200V	±20%	≤700V	10KA	10A	≥10	≤1pF
3R230L-8×10	230V	±20%	≤700V	10KA	10A	≥10	≤1pF
3R300L-8×10	300V	±20%	≤900V	10KA	10A	≥10	≤1pF
3R350L-8×10	350V	±20%	≤1000V	10KA	10A	≥10	≤1pF
3R400L-8×10	400V	±20%	≤1000V	10KA	10A	≥10	≤1pF
3R470L-8×10	470V	±20%	≤1200V	10KA	10A	≥10	≤1pF
3R600L-8×10	600V	±20%	≤1400V	10KA	10A	≥10	≤1pF

1)At delivery AQL 0.65 leave II Military Standard 105 E.

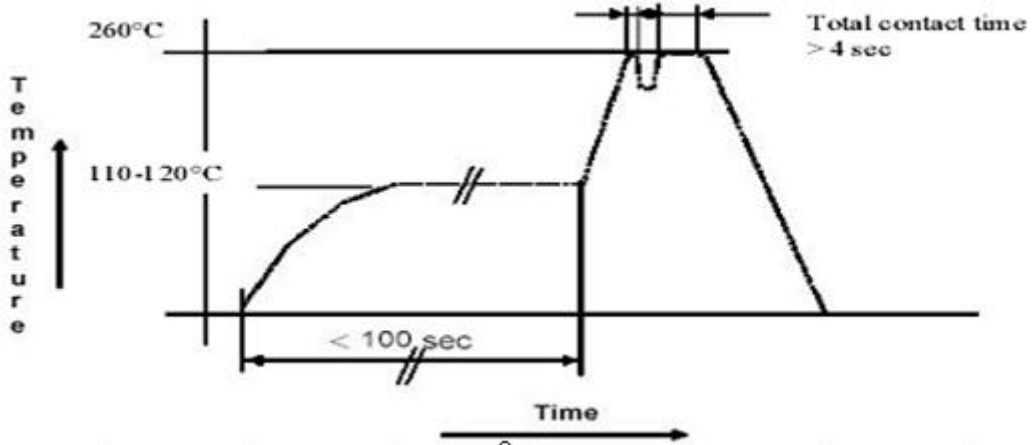
2)In ionized mode

3)Test according to ITU-T Rec.k.12

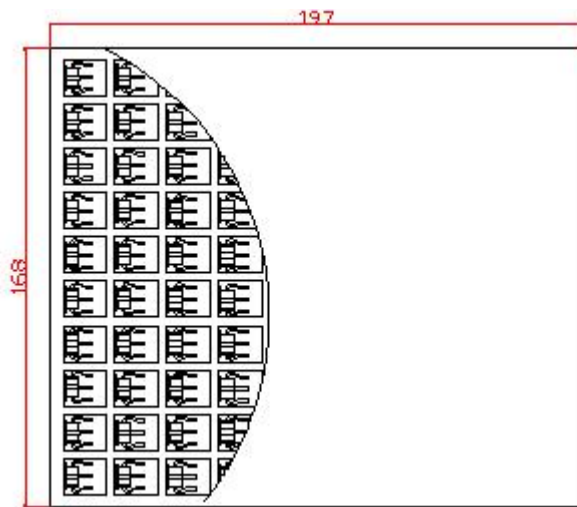
Marking



wave soldering curve



Package



Per tray: 100 pcs

Type	Min package (pcs)	One box (pcs)	Outside packing size (mm)			Weight (kg)
			L	W	H	
3RXXXL-8×10 Tray packing	100	5000	--	--	--	--