

2RXXXL-8×6 Series

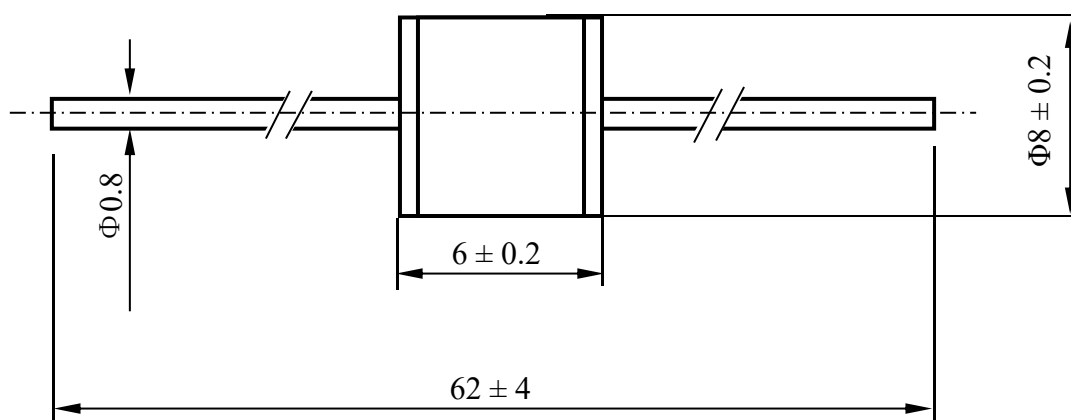
Features

- Size: 8.2mm*6mm
- Stable breakdown voltage.
- High insulation resistance.
- Low capacitance ($\leq 1\text{pF}$)
- High holdover voltage
- Storage and operational temperature: $-40^{\circ}\text{C} \sim +90^{\circ}\text{C}$

Applications

- Transient Voltage Surge Suppression(TVSS)
- Cable Telephone Product
- Modems/Cable Modems
- Broadband/CATV/Coaxial Protectors
- Communication Lines
- Power Supplies

Specification Status:Draft (mm)



Electrical Characteristics (TA = 25 °C unless otherwise noted)

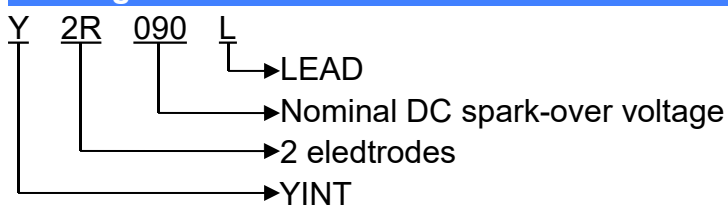
Part Number	DC Breakdown Voltage	Tolerance	Impulse Spark-over Voltage	Impulse Discharge Current 10hits(5hits each polarity)	AC Discharge Current 5 hits	Insulation Resistance*	Capacitance
	100V/s	of Vs	1kv/ μs	8/20 μs	50Hz	G Ω	1MHz
2R075L-8×6	75V	$\pm 20\%$	$\leq 600\text{V}$	10KA	10A	≥ 10	$\leq 1\text{pF}$
2R090L-8×6	90V	$\pm 20\%$	$\leq 600\text{V}$	10KA	10A	≥ 10	$\leq 1\text{pF}$
2R150L-8×6	150V	$\pm 20\%$	$\leq 700\text{V}$	10KA	10A	≥ 10	$\leq 1\text{pF}$
2R200L-8×6	200V	$\pm 20\%$	$\leq 700\text{V}$	10KA	10A	≥ 10	$\leq 1\text{pF}$
2R230L-8×6	230V	$\pm 20\%$	$\leq 700\text{V}$	10KA	10A	≥ 10	$\leq 1\text{pF}$
2R300L-8×6	300V	$\pm 20\%$	$\leq 900\text{V}$	10KA	10A	≥ 10	$\leq 1\text{pF}$
2R350L-8×6	350V	$\pm 20\%$	$\leq 1000\text{V}$	10KA	10A	≥ 10	$\leq 1\text{pF}$
2R400L-8×6	400V	$\pm 20\%$	$\leq 1000\text{V}$	10KA	10A	≥ 10	$\leq 1\text{pF}$
2R470L-8×6	470V	$\pm 20\%$	$\leq 1200\text{V}$	10KA	10A	≥ 10	$\leq 1\text{pF}$
2R600L-8×6	600V	$\pm 20\%$	$\leq 1400\text{V}$	10KA	10A	≥ 10	$\leq 1\text{pF}$

1)At delivery AQL 0.65 leave II Military Standard 105 E.

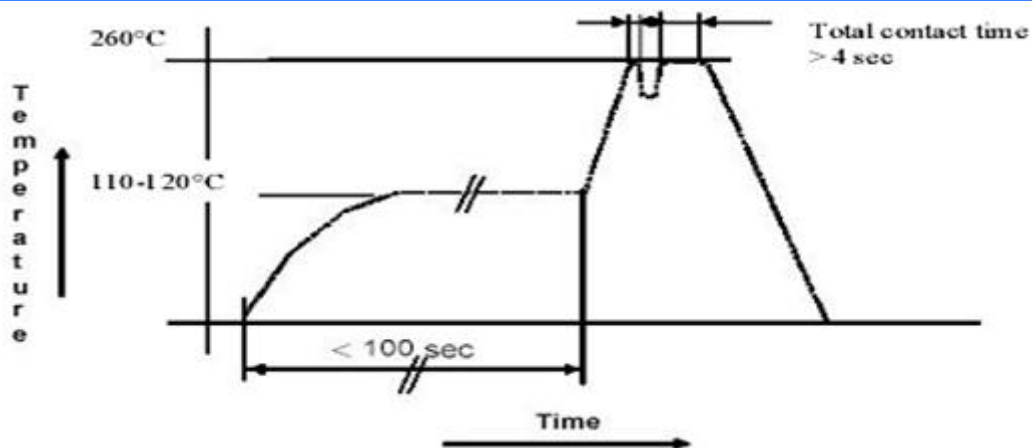
2)In ionized mode

3)Test according to ITU-T Rec.k.12

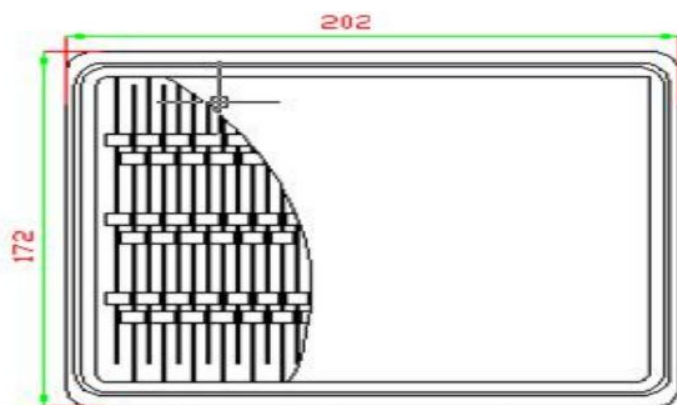
Marking



Wave soldering curve



Package



Per tray: 100 pcs

Type	Min package (pcs)	One box (pcs)	Outside packing size (mm)			Weight (kg)
			L	W	H	
2RXXXL-8×6	Tray packing	100	5000	--	--	--